



**NEW**

# Rule Bilge Pumps

## 360-1100 GPH SUBMERSIBLE BILGE PUMPS

**Our bilge pumps provide ultimate pumping performance, which helps keep your bilge clear of nuisance water, building on the genuine Rule design.**

Rigorous engineering and testing helped generate the new series of bilge pumps. Our pumps are tested to the highest standard, achieving rated performance at 12V vs. 13.6V, resulting in higher flow with better efficiency for the toughest applications.

**Our new designs include:**

- **Higher Flow** - optimized impeller to provide greater flow at the same amperage
- **Built-in Thermal Cut-Off (TCO)** - provides added protection for pump and vessel
- **Back Flow Prevention** - reduces the amount of water left over in the bilge, reducing odor and helping keep your bilge cleaner
- **Hidden Air Vents in the Body** - helps prevent air locking in challenging plumbing installations and helps with the check valve
- **Threaded Discharge** - easier installation, easier maintenance

**Rule brand builds on over 50 years of operational excellence and application expertise with a broad range of solutions for the marine industry.**



ISO 8849 Marine (Electric bilge pumps)  
ISO 8846 Marine (Ignition protection)



Rule...The world's most trusted pumps

# Rule Next Generation Bilge Pumps

| Nominal GPH/ LPH | Model No. | Volts | Amps @ 12V | Amps @ 13.6V | Ports | Check Valve | Hose Dia.     | UPC           |
|------------------|-----------|-------|------------|--------------|-------|-------------|---------------|---------------|
| 360 (1363)       | 24DA      | 12 DC | 2.1 (12V)  | 2.4 (13.6V)  | YES   | YES         | 3/4" (19mm)   | 042237-104700 |
| 500 (1890)       | 25DA      | 12 DC | 1.6 (12V)  | 1.8 (13.6V)  | YES   | YES         | 3/4" (19mm)   | 042237-104717 |
| 500 (1890)       | 25DA-24   | 24 DC | 0.8 (24V)  | 0.9 (27.2V)  | YES   | YES         | 3/4" (19mm)   | 042237-104748 |
| 800 (3028)       | 20DA      | 12 DC | 3.4 (12V)  | 4.3 (13.6V)  | YES   | YES         | 3/4" (19mm)   | 042237-104694 |
| 800 (3028)       | 20DA-24   | 24 DC | 1.7 (24V)  | 2.2 (27.2V)  | YES   | YES         | 3/4" (19mm)   | 042237-104755 |
| 1100 (4164)      | 27DA      | 12 DC | 3.7 (12V)  | 4.7 (13.6V)  | YES   | YES         | 1" (25mm) AND | 042237-104724 |
| 1100 (4164)      | 27DA-24   | 24 DC | 1.9 (24V)  | 2.4 (27.2V)  | YES   | YES         | 1-1/8" (29mm) | 042237-104762 |

**360/500 GPH  
(1363/1893 LPH)**

\* 3.9" (99mm)

0.7 lbs (0.32kg)

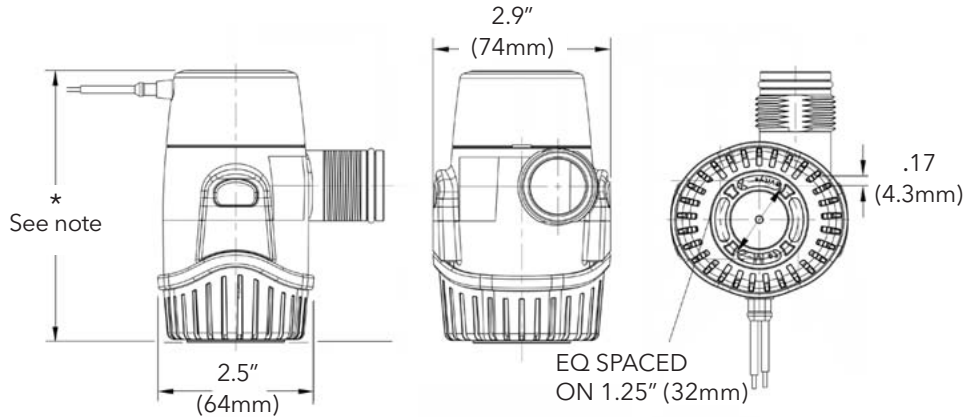
**800/1100 GPH  
(3028/4164 LPH)**

\* 4.4" (111mm)

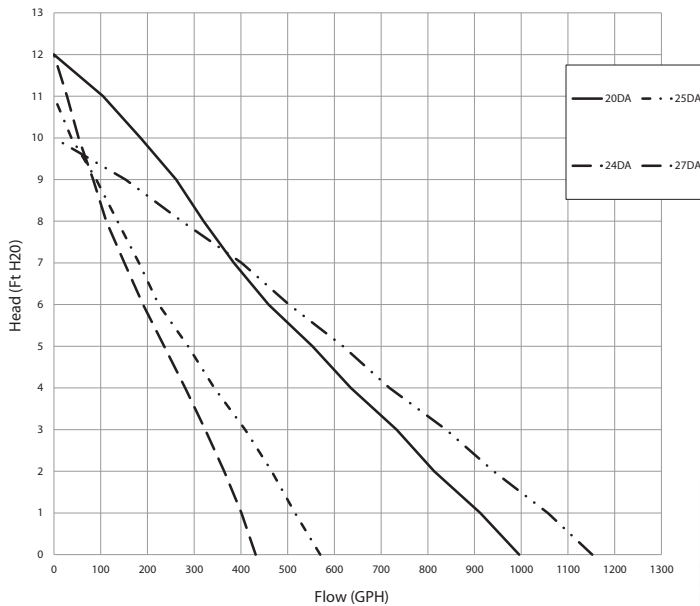
0.85 lbs (0.39kg)



Check Valve Included



## Performance at Rated Voltage (12 or 24 Volts)



## Extra Spare Parts

| Description                           | Model No. |
|---------------------------------------|-----------|
| 360/500 3/4" Barbed Port              | 1200R     |
| 360/500 3/4" Barbed Port 90 Degree    | 1201R     |
| 360/500 1" Barbed Port                | 1202R     |
| 800/1100 3/4" Barbed Port 90 Degree   | 1203R     |
| 800/1100 3/4" Barbed Port             | 1204R     |
| 800/1100 1" Barbed Port 90 Degree     | 1205R     |
| 800/1100 1" Barbed Port               | 1206R     |
| 800/1100 1-1/8" Barbed Port 90 Degree | 1207R     |
| 800/1100 1-1/8" Barbed Port           | 1208R     |
| 360/500 3/4" Check Valve              | 1220R     |
| 800/1100 3/4" Check Valve             | 1221R     |
| 800/1100 1" Check Valve               | 1222R     |
| 800/1100 1-1/8" Check Valve           | 1223R     |



Warranty: All products of the company are sold and all services of the company are offered subject to the company's warranty and terms and conditions of sale, copies of which will be furnished upon request. The information provided herein is for guidance only, it does not constitute a guarantee of the performance or specification of any individual product or component.

[marine.xylem.com](http://marine.xylem.com)

**USA**  
Xylem Inc.  
100 Cummings Center  
Suite 535N Beverly MA, 01915  
Tel: (778) 281-0440  
Fax: (778) 283-2619

**UK**  
Xylem Inc.  
Bingley Road, Hoddesdon  
Hertfordshire EN11 0BU  
Tel: +44 (0) 1992 450145  
Fax: +44 (0) 1992 467132

**GERMANY**  
Xylem Inc.  
Oststrasse 28  
22844 Norderstedt  
Tel: +49-40-53 53 73-0  
Fax: +49-40-53 53 73-11

**PHILIPPINES**  
Xylem Inc.  
12 Ring Road, LISP II  
Brgy. Lamesa, Calamba City 4027  
Tel: 63 (49) 5434341  
Fax: 63 (49) 5456817

**CHINA**  
Xylem Inc.  
30/F Tower A, 100 Zunyi Road  
Shanghai, China 200051  
Tel: +86-21-2208-2888  
Fax: +86-21-2208-2999

**ITALY**  
Xylem Inc.  
Via Tommaseo, 6 20059  
Vimercate, Milano  
Tel: +39 039 685 2323  
Fax: +39 039 666 307